

# 3291 CONTROL VALVE SPECIAL LENGTH VERSION

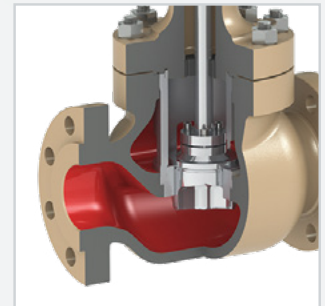
SAMSON

**SAMSON**

Introducing a Direct Replacement  
for Legacy Split Body Valves.

- No spool pieces
- No piping modifications
- No on-site fabrication required

**Minimize downtime:  
Drop it in and bolt it on.**



## FACE-TO-FACE DIMENSIONS

Specifications	NPS 1	NPS 1 ½	NPS 2	NPS 3	NPS 4
<b>3291 - Special Length version</b>	8.5" (216 mm)	9.5" (241 mm)	11.5" (292 mm)	14" (356 mm)	17" (432 mm)

# FEATURES AND BENEFITS

## Integrated Accessory Attachment

- Eliminates external tubing
- Protects mechanical feedback linkage
- Entire actuator top works can be rotated 360° without disassembly

## SAMSON Smart Devices

- Easy push-button positioner initialization
- Intrinsically safe & explosion proof options available
- EXPERTPlus Diagnostics

## Self-adjusting PTFE V-ring Packing

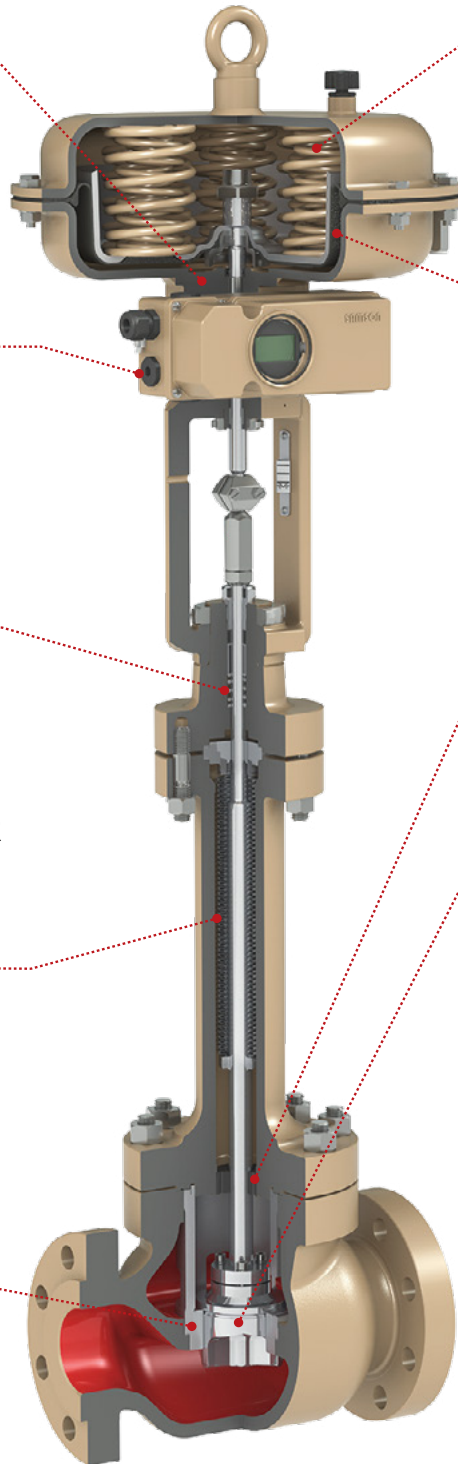
- Maintenance-free design
- Low friction
- Roller burnished stem reduces friction, external leakage, and maximizes packing life beyond what basic polishing can offer from competitors.

## Patented Multi-layered Bellows Technology

- Double wall design
- Small valve travel results in a long bellows life
- Modular design allows for the addition or removal of bellows in the field

## Clamped Seat Design

- No special tooling required
- Robust seat retention
- Flute guiding reduces chances of erosion damage if debris exists



## Field Reversible Nested Multi-Spring Actuator

- Reduced height and weight
- Easily convert between fail actions in the field with minimal effort

## Rolling Diaphragm

- Greatly reduces diaphragm wear compared to stretching diaphragm design used by competitors.
- Diaphragm design results in very small external air loss

## Low Lying Guide Bushing

- Ensures precise plug alignment for our stem guided trim

## Multiple Plug Designs

- Parabolic - Cost effective & debris friendly
- V-Port - Reduced vibration & debris friendly
- Perforated - Vibration reduction and flow dispersion

## Various Noise Attenuation Options

- Flow Divider I and II (Gases/Vapors)
- Anti-Cavitation Trims (Liquids)
- Optional downstream orifice plates

**SAMSON**  
AIR TORQUE · CERA SYSTEM · KFELEKTRONIK · LEUSCH  
PEIFFER · RINGO · SAMSOMATIC · SED · STARLINE · VETEC

4111 Cedar Blvd.  
Baytown, TX 77523 USA  
Phone: 877-762-7668

1-105 Riviera Drive  
Markham, ON L3R 5J7 Canada  
Phone: 800-772-6766



[www.samsoncontrols.com](http://www.samsoncontrols.com)



[contactus@samsongroupna.com](mailto:contactus@samsongroupna.com)